

# eWORKER

EW 25.5-60  
EW 25.5-90

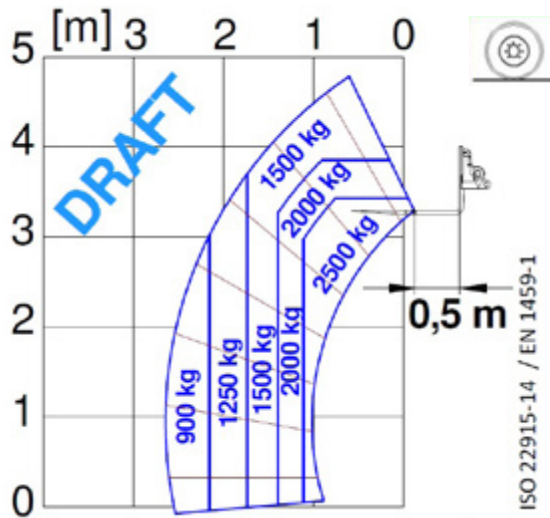




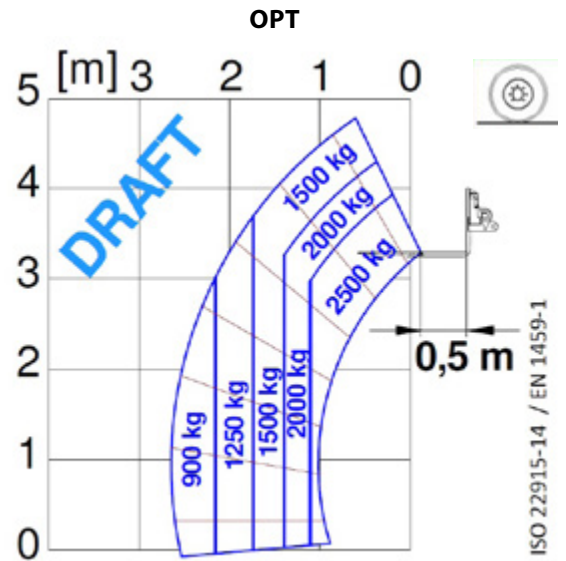
PERFORMANCE AND FEATURES	EW 25.5-60	EW 25.5-90	
<b>Prestazioni</b>			
Unladen weight (kg)	4950	4950	
Maximum load capacity (kg)	2500	2500	
Lift height (m)	4,8	4,8	
Maximum reach (m)	2,6	2,6	
Load capacity at max. height (kg)	1500	1500	
Load capacity at max. reach (kg)	900	900	
Height - maximum load capacity (m)	3,4	3,4	
Reach at max. load capacity (m)	1,15	1,15	
Boom section	2	2	
<b>PowerTrain</b>			
Engine	2 x Electrical	3 x Electrical	
Battery (type and V)	lead-acid - 48 V	lead-acid - 48 V	
Nominal capacity	960 Ah	960 Ah	
Emissions	No emissions	No emissions	
MAX power (kW/CV)	44/60	66/90	
Maximum speed (km/h)	25	25	
Traction	2WD, 3 traction modes	4WD, 3 traction modes	
Autonomy (hours)	8h	8h	
Recharge time (hours)	9h (220 V)	9h (220 V)	
Recharge voltage	220V / 400V	220V / 400V	
Battery charger	●	●	
<b>Hydraulic system</b>			
Hydraulic pump	LS + FS	LS + FS	
Delivery/pressure (l/min-bar)	42/210	42/210	
Hydraulic outlet on top of the boom	●	●	
Rear hydraulic outlets	○	○	
<b>Cab</b>			
Closed cab	○	○	
FOPS LIV I and ROPS	●	●	
Controls	Electronic joystick control	Electronic joystick control	
Reverse shuttle	dual reverse	dual reverse	
<b>Configuration</b>			
Battery fast replacement	●	●	
Tac-lock	●	●	
Work lights on cab (LED)	●	●	
Rotating beacon and blue reverse light	●	●	
Two floating forks	●	●	
Hydropneumatic suspension BSS	○	○	
Two steering wheels	Rear	Rear	
Front standard tyres	AS 504 10,0/75-15,3 18PR	AS 504 10,0/75-15,3 18PR	
Rear standard tyres	AW702 10,0/75-15,3 18PR	AS 504 10,0/75-15,3 18PR	
Optional tyres	Liftmax LMB1 7,5R15	Liftmax LMB1 7,5R15 TR315 31x15,5-15 12PR	
E-holder brakes	●	●	
Regenerative braking	●	●	
Automatic parking brake	●	●	
Pre-arrangement for aerial work platform	○	○	
Tractor type approval	-	○	
Carriage ZM2S	●	●	

- Not Available  
● Standard  
○ Optional

## Load charts



10.0/75-15.3 18PR AS 504 BKT



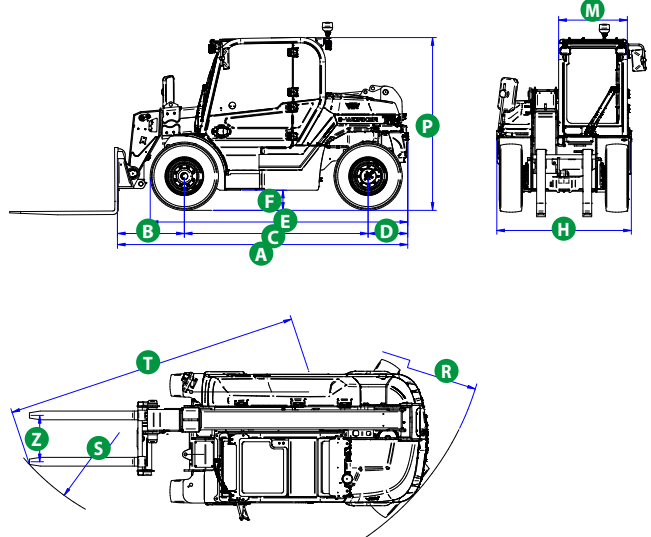
31X15.5-15 12PR TR 315 BKT  
7.5OR15 LIFTMAX LM81 BKT

**eworker**

## Dimensions



	EW 25.5-60	EW 25.5-90	
A (mm)	3320	3320	
B (mm)	765	765	
C (mm)	2100	2100	
D (mm)	455	455	
E (mm)	2940	2940	
F (mm)	230	230	
H (mm)	1540	1540	
M (mm)	770	770	
P (mm)	1975	1975	
R (mm)	2850	3250	
S (mm)	2230	2700	
T (mm)	3365	3365	
Z (mm)	550	550	



**Your Merlo dealer**



**MERLO S.P.A.**

Via Nazionale, 9  
12010 S. Defendente di Cervasca, (Cuneo) Italia  
Tel. +39 0171 614111  
Fax +39 0171 684101

[info@merlo.com](mailto:info@merlo.com)  
[www.merlo.com](http://www.merlo.com)

