

6 Tonne Power Swivel

KEY FEATURES & BENEFITS - MACH2262



The Thwaites 6 Tonne Power Swivel, Stage V Hydrostatic dumper is manufactured with contractors and hirers in mind – ensuring operator safety, reducing risk on site and improving performance. The Power Swivel skip enables a 90° rotation left and right, allowing the machine easier access to tip loads in restricted areas, giving the operator greater control and reducing risk on site.

Powered by a 3.3L Yanmar turbo diesel engine fitted with a DPF to comply with EU stage V emission regulations, you benefit from 53.7 kW peak power, 295 Nm of torque and no AdBlue requirement.

Thwaites 6 Tonne machines are available in a range of configurations to suit your needs including:

- › 6 Tonne Power Swivel with Cab
- › 6 Tonne Front Tip with Cab
- › 6 Tonne Front Tip

A Spring Activated Hydraulic Release (SAHR) Handbrake, 5" screen displaying 150° around machine visibility, hi-vis steps, LED road lights and amber LED beacon are all fitted as standard. Optional extras include a green LED beacon, GPS speedometer and Trackunit.

Safe, compliant and competitive.



Snap this QR code from your smart phone for more information



Thwaites

Thwaites Ltd, Leamington Spa,
Warwickshire, CV32 7NQ, England
Tel +44 (0)1926 422471

www.thwaitesdumpers.co.uk

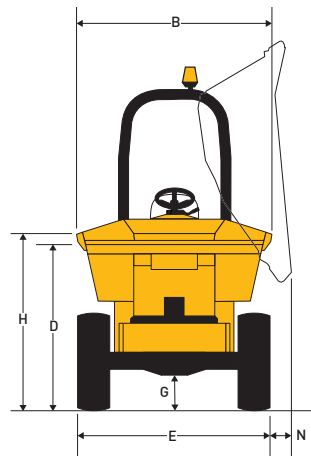
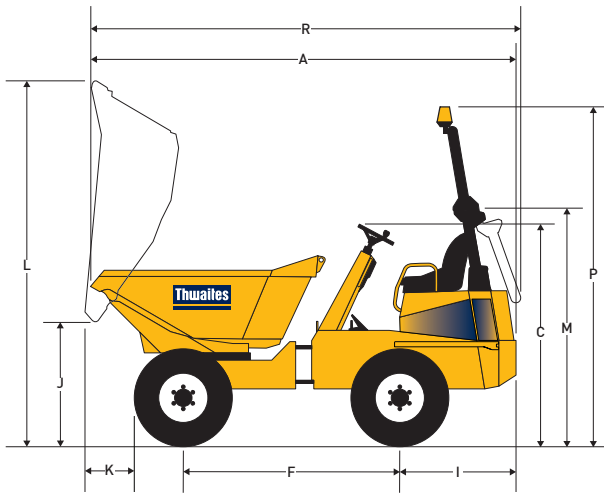


GET THE JOB DONE.

6 Tonne Power Swivel

DIMENSIONS & SPECIFICATIONS - MACH2262

(mm)



A	4815	N	100
B	2280	P	3430
C	2230	R	5082
D	1670		
E	2240		
F	2480		
G	370		
H	1850		
I	1235		
J	1100		
K	550		
L	3694		
M	2320		

Weight	Unladen	4220 kg
	Shipping	4096 kg
Capacities	Max safe load	6000 kg
	Heaped	3150 litres
	Struck	2550 litres
	Water	1650 litres

Engine

- › Yanmar 4TNV98CT, water-cooled, 4-cylinder, fuel injected turbo diesel with after treatment Diesel Particulate filter
- › Power 53.7kW / 72 bhp at 2100 rpm
- › Torque 295Nm (217.5 lbs ft)

Noise Levels

- › Operator's ear 84 LpA / airborne level 102 LwA

Transmission

- › Hydrostatic with high/low speed range, column mounted directional control lever and inching facility.

Speeds	Forward and Reverse	
	1	6.1 km/h (3.7 mph)
	2	25 km/h (15.5 mph)

Tyres	405/70 - 20
	Load/Speed Index - 142 A8

Brakes and Axles

- › Totally enclosed multiplate oil-immersed discs mounted on both axles & auto wear adjustment
- › Hand operated parking brake (SAHR)

Kinglink Chassis

- › Constructed from folded steel plate, with three point Kinglink giving articulation and oscillation for better stability, traction and safety on site

Skip

- › Hydraulically operated, 8 mm steel base plate
- › Skip mouth & sides reinforced with box sections
- › Power Swivel skip enables a 180° rotation

Seating & Controls

- › Adjustable suspension seat with high-vis seat belt
- › Clear operators display unit contains all warning lamps

Service Access

- › Lockable engine cover for ground level service points
- › Rear chassis panel can be hinged back on retainers

Electrics

- › Fuse & relay are housed on a central power distribution board
- › Main harness is fully enclosed in solid conduit and incorporates the engine diagnostic port

Steering and Hydraulics

- › Hydraulic power steering
- › Return line filtration for all services
- › Hydraulic test point fitted as standard

Tank Capacities	Fuel	72 litres
	Hydraulic	50 litres

Turning Circle	12m
-----------------------	-----

Standard Equipment

- › Full LED road lighting incl. DRL (Daylight Running Lights)
- › Camera and dashpanel monitor
- › Reverse alarm
- › LED beacon, fan guard

Optional Equipment

- › Road mirrors
- › Wheel nut indicator
- › GPS speedometer

Thwaites

Thwaites Ltd, Leamington Spa,
Warwickshire, CV32 7NQ, England
Tel +44 (0)1926 422471

www.thwaitesdumpers.co.uk



Images are representative, but specific details or equipment may vary by country. We reserve the right to change any and all specifications without prior notice. 02/2023