

Stabilised Telehandlers





Index

The Merlo Group	Page 4
Stabilised telehandler range	Page 6
Merlo Technologies	
• Safety	Page 8
• Performance	Page 12
• Comfort	Page 14
• Efficiency	Page 16
Range	Page 18
Equipment and Movimatica	Page 22
Services	Page 22
Technical characteristics	Page 23





Merlo headquarters

S. Defendente di Cervasca (CN)
Italy

Merlo facility with 350000 m² of covered area:

- A - Electrical component production
- B - Hydraulic component production
- C - Frame production
- D - Cab production
- E - Axle production
- F - Engine configuration
- G - Machine assembly



Merlo The technological leader in operating machines

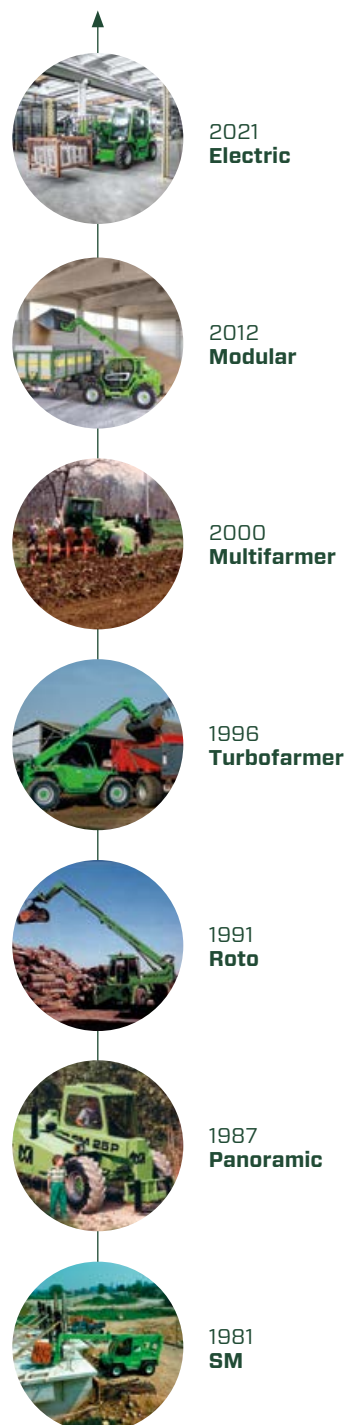
Merlo is an important family-run industrial group founded in Cuneo in 1964 that designs, produces and markets its own products under the Merlo and Treemme brands.

People and the territory are at the centre of the project; the Merlo Group is committed to respecting the environment and making the work of the operator (and everyone who is passionately dedicated to constantly improving the efficiency and performance of our products) more functional, safe and comfortable.

The product portfolio consists of a complete range of telehandlers, both fixed and rotating, self-loading concrete mixers (DBMs), Treemme implement-holders for municipal and forestry use, and multi-purpose tracked Cingo transporters.

All products in the Merlo range are characterised by innovation, technology and reliability, which have always been distinctive features of the Group and have gained market confidence.

Merlo S.p.A has always been synonymous with technological innovation in the world of telehandlers.





Telehandler range **Stabilised** **Always first in class**

Since 1987, the launch date of the first telehandler in the world with a lateral engine, it was possible to understand that longevity is what characterises the range of Stabilised Telehandlers called “Panoramic”. Over the years, its unique design and construction architecture created by Merlo, has been a source of inspiration for many manufacturers.

The Stabilised Telehandler range has been constantly enhanced, thanks to the use of exclusive technologies, quality materials and the introduction of safety systems, which are essential in order to offer our customers adequate protection and easy operation.

User interface:

In-cab display for viewing all the operating parameters. Ergonomic joystick controls with integrated travel-direction selector switch. Cursors and controls are designed to maximise ease of implementation.

Hydraulic system:

Downsized hydraulic system to minimise manoeuvring times. Variable displacement (Load Sensing) hydraulic pump for maximum efficiency, excellent performance, and perfectly smooth operation.

Cab:

Level II FOPS and ROPS certified, designed to maintain the maximum level of ergonomics while ensuring excellent protection for the operator. The 1010 mm width and the wide glass surface ensure unparalleled comfort and full visibility.

Powertrain:

Hydrostatic transmission with permanent four-wheel drive, 75 to 143 HP engines and maximum speed of 40 km/h. Exclusive position of the side and longitudinal engine.

Boom side-shift:

The only machines on the market to offer this device, which allows you to correct the positioning of the load without having to move the machine, without altering the stability and safety conditions for the operator.

Telescopic boom:

Heights from 10 to 18 metres with load-bearing capacities from 3000 to 5000 kg. Exclusive design that ensures lightness, precision and durability.

Implement-holder carriage equipped with hydraulic Tac-lock locking system, controllable from the cab.



Safety

Not just feelings

Operator safety has always been the most important aspect taken into consideration during the design of Merlo machines. The Merlo cab structure, certified according to ISO 3449 FOPS and ISO 3471 ROPS standards, provides a class-leading level of protection for telehandler users. The FOPS protection grille is outside the glass roof to improve roominess while at the same time safeguarding the integrity of the structure and windscreen. All Merlo models are equipped with a built-in safety system that monitors and manages safety-related parameters in real time, allowing the operator to work with complete peace of mind. Machine safety is enhanced by an automatic management of the parking brake that brakes the machine if the engine switches off, so as to avoid unintentional movements.

Merlo Boom

Boom consisting of a double "C" profile in high-strength steel with welds made along the neutral bending axis. Hydraulic hoses and electrical wires positioned inside the boom with a **"cartridge" system**, to protect against any possible impacts and easy extraction in case of maintenance. The L-shaped runner blocks are made of composite material to maximise efficiency and reduce impact and wear on the sliding surfaces. The Merlo boom solution offers high accuracy with millimetric precision of movement control and no bending of the structure.



FOPS protection

All Merlo models have a **metal structure placed on the outside of the cab**, above the glass roof, in order to achieve the most stringent certification level in terms of operator protection from falling objects - FOPS level II standard. The Merlo protection grid is moulded to reduce the impact on visibility and ensures:

- Perfect comfort in the cab.
- Excellent visibility of the load.
- Maximum safety for the operator and cab components, including roof and upper windscreen wiper.
- The structure can be easily dismantled for more thorough cleaning of the roof.

Movement management

In order to ensure maximum operational safety in all environments and whilst handling different tools, the stabilised telehandlers are equipped with cursors that inhibit some hydraulic functions, thus avoiding unintentional activation of movements that could result in improper use of the tool. For example, when working with a winch, it is possible to block the rotation of the carriage, allowing the operator to work at the right angles, in order to preserve the integrity of the implement rope.



Frame

Compared to market standards, the frame is characterised by small dimensions, allowing to minimise the overall floor space occupied by the machine. Furthermore, it is equipped, on the outside, with an exclusive belt, made from steel section bar. Designed to maximise structural strength and ensure excellent torsional strength, the underside of the body is completely protected by steel sheets, in order to protect all components from possible impacts during off-road driving.

Levelling

Merlo telehandlers can be equipped with a side levelling corrector device. Thanks to this solution, by acting on a simple control in the cab, the customer can modify the machine frame transversal tilting, compensating for sloping terrain up to a maximum of 8% - approx. 5°. In this way, it ensures a **perfectly vertical lifting of the load**, by limiting the risks of lateral instability of the machine.



ASCS

The ASCS (Adaptive Stability Control System) safety system ensures perfect risk prevention of the machine tipping over frontally when handling a load.

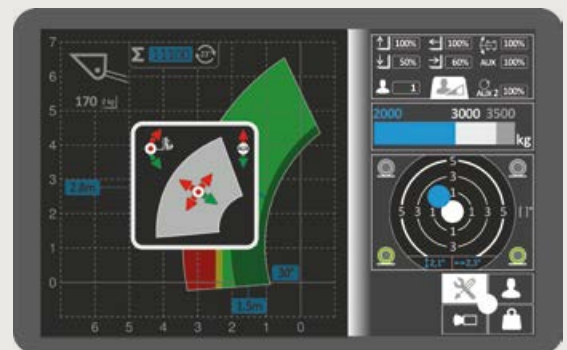
The system regulates the speed and maximum degree of movement according to three operating parameters:

- Handled load - kg of material lifted
- Load position - reach, boom extension and carriage rotation
- Implement in use - automatically recognised by special sensors.

When the operational stability limit is reached, the system first reduces the speed of the arm and then stops movement completely. Independent control of each hydraulic movement allows the identification of movements potentially unsafe allowing only those that do not affect the stability conditions or that re-establish a safer condition, simplifying the use of the machine even for less experienced users.

Display

The ASCS system is equipped, either as an option or as standard, with a **10,1" colour display** with integrated sensor for automatic brightness adjustment according to external light conditions. In this way, a simple reading of the stability conditions is always ensured, updated in real time, according to the load being handled and the implement in use. At any time the customer can see at what point the safety system will be triggered. Once the system intervenes by blocking all movements, a pop-up message shows the customer all the operations that are allowed as they are not detrimental to the stability of the vehicle. Finally, the inclinometer is shown to maximise the safe use of the machine.

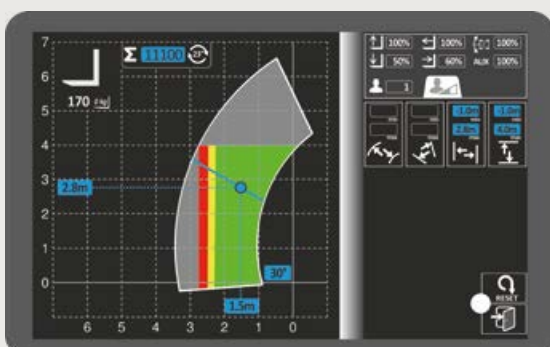


Working area setting

A special function, accessible via the display, allows the operator to **set the geometric working limits**.

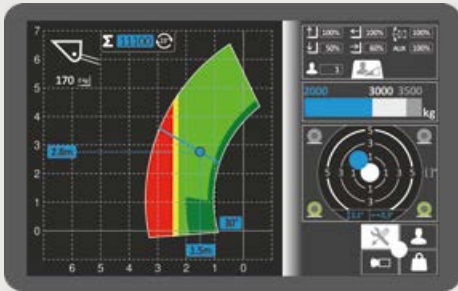
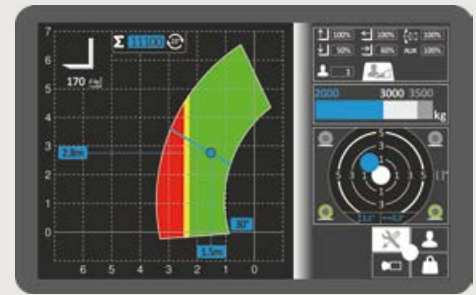
Adjustments can be made in accordance with the vertical and horizontal movements (minimum and maximum height and extension) or in accordance with the relative movements of the boom (minimum and maximum lifting and extension angle of the extension).

Adjustment is easy and precise by means of the green thumbwheel located near the joystick, which guarantees an adjustment accuracy of 0,1 metre for extension and lifting. The boom angle can be adjusted with an accuracy of 1 degree. This solution makes it possible to simplify the use of the machine and **increase safety during repetitive work and in confined spaces**, such as inside a warehouse.



Movement speed setting

The ASCS system uses the display to customise the speed of individual movements of the telescopic boom and the attachments in use according to the needs of each operator as well as the operations to be carried out. Up to nine different setups can be stored.



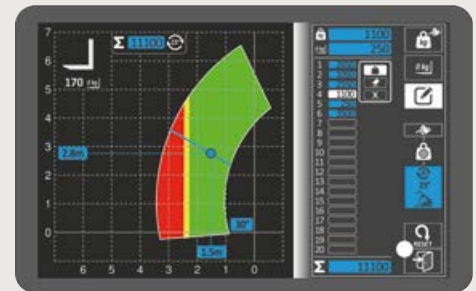
Free zone

By equipping the machine with a shovel, which is recognised accordingly, the working free zone is **automatically** activated. A working area of up to 1 metre of reach and 10° of lift. Within this area it is possible to operate without the control system blocking the movement of the implement in case of overload, facilitating digging operations and ensuring perfectly smooth movements.

Memorising handled loads

The ASCS display allows the reading of the load being handled, either manually or automatically, whenever the telescopic boom is raised beyond the degrees of inclination pre-set by the operator.

The average tolerance on the measured values is $\pm 5\%$ because these can vary depending on the dynamic conditions of the machine. The system can store up to 1000 different readings, displaying the total and the last 20 values.



Continuous delivery

The models with display are equipped with a system for regulating and delivering a constant flow of oil to the implements. This solution allows the **oil flow to be precisely and specifically adjusted from 0 to maximum flow rate**, for each of the 4 auxiliary hydraulic outlets at the top of the boom. This solution is also available as an option for several other models.

Rear camera

In combination with the 10,1" colour display of the ASCS system, it is possible to equip the machine with an automatically-operated rear camera, when the reverse gear control is engaged. Images from the rear of the telehandler are shown directly on the in-cab display. The camera can also be activated manually from the ASCS menu.



Performance

Everything at your fingertips

Merlo Stabilised telehandlers are equipped with a hydrostatic transmission, powered by a combustion engine, which enables to reach a maximum speed of 40 km/h, depending on the model.

Featuring permanent four drive wheels, the Merlo telehandlers have excellent braking capacity when the throttle is released, guaranteeing high torque to the wheels during material handling and transfers, as well as millimetric precision of movements when positioning the load.

The exclusively designed axles are manufactured and developed in-house by the Merlo Group, and can be equipped with differential lock to ensure traction even on slippery or muddy terrain. The balance of the vehicle's masses, the design of the boom positioning and the hydraulic components, ensure high telescopic capabilities without impacting on the overall dimensions and fuel consumption of the machine.

Engines

All models feature the combustion engine in the original mounting layout developed by Merlo with the invention of the panoramic visibility models. This configuration places the engine in a longitudinal direction, on the right side of the frame. This ensures maximum accessibility to the components during scheduled and/or extraordinary maintenance operations.

The power range of the installed engines is between 75 and 143 HP. Finally, the electronic management of the injection system allows Merlo to precisely and smoothly adjust the power delivery according to the customer's requirements.



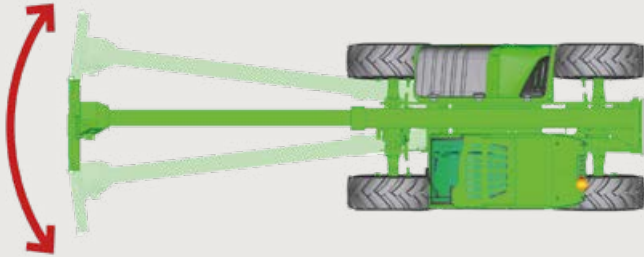
Hydraulic system

These are the only models on the market equipped with two separate circuits for hydraulics and hydrostatics with two different oil reservoirs. The hydraulic circuit consists of a load sensing variable displacement pump to guarantee lower fuel consumption and enhanced ease of use, performing up to three simultaneous movements without difficulty. The hydraulic distributor is mounted to the rear of the frame to reduce vibrations and heat transfer to the cab. At the same time, it ensures perfect accessibility for maintenance.



Axles and brakes

The axles are available in two versions: with **epicyclic reducers**, to maximise the torque transmitted to the wheels and with **portal reducers**, to increase ground clearance. Both solutions are designed and manufactured in-house with the aim of offering the best solution in terms of strength, service life and efficiency. The axles can be fitted with dry disc brakes sized to ensure lower running costs or wet brakes. All bearings and bushings are designed to ensure a longer service life and reduce the need for maintenance.



Boom side-shift

This system is built into the machines' frame, and allows for the **lateral movement of the telescopic boom** to ensure precise load positioning, with no need for additional manoeuvring, thereby saving time, reducing stress, and improving the machine's productivity. The side-shift control is located on the joystick and is proportional to maximise efficiency.

RRM

A **unique and patented solution**. The hydraulic couplings developed and manufactured by Merlo ensure:

- Quick assembly and disassembly
- Increased tightness of connections
- Increased component service life
- No risk of line twisting



Fan Drive

The **Fan Drive** is a technology fitted as standard that allows you to change the engine fan's rotation direction from venting, which cools the radiators, to blowing, which cleans them, eliminating dust and residues collected during the work phase, to maintain the system's performance and efficiency unaltered.

Aerial work platform

All Stabilised models can be configured with aerial work platform. This solution, complying with EN280 standard, assures an increased level of active and passive safety during work at heights, and enhances machine versatility. In addition, the new management system applied to the aerial work platforms allows the speed of movement to be adjusted proportionally according to load and boom position. This speeds up work operations to the benefit of users.



Comfort

The best work station

The exclusive cab, fitted with vibration-damping silent-blocks on the frame, has been developed to guarantee our customers a record level of comfort, with a width of 1010 mm and a large glass surface of 4,3 sq.m ensuring the best roominess in its class. Simple and easy access to the cab is guaranteed by the 180° opening door, the high distance between the upright and steering wheel, and the correct positioning of the steps and handles for access.

Acoustic and thermal comfort have also been taken care of down to the smallest detail in all telehandler ranges, thanks to intensive research into the most innovative technical solutions and materials, ensuring optimal soundproofing and thermal insulation. Finally, the entry of dust into the passenger compartment is prevented thanks to the cab pressurisation compliant with ISO 10263-3 standards*

NOTES:

* pressurisation level not approved for use of pesticides, work in hazardous environments, with asbestos, etc.

Cab entry

Easy access to the cab is ensured by the 180° opening door, which maximises entry space, and the large distance between the upright and steering wheel. The side window, which is independent of the door body, can be locked in the open position to maximise air exchange, visibility and direct contact with those working outside near the machine. It is possible to unlock the window either by means of the control on the floor or with the release knob installed directly on the window to facilitate unlocking operations.



Cab

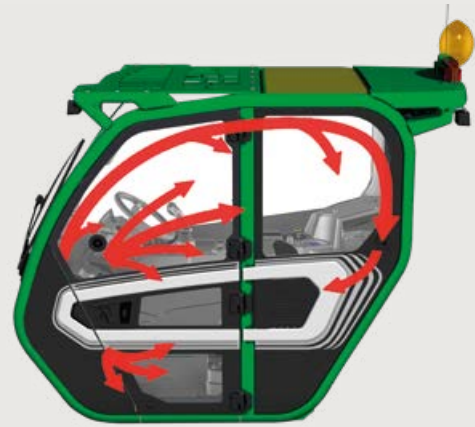
An unprecedented design guarantees maximum **functionality and comfort**; grouping the information provided to the driver and the controls of the various systems and devices for optimal ergonomics. The reverse shuttle on the steering wheel is also present on the joystick.

- 1 - ASCS display (Opt)
- 2 - Capacitive joystick
- 3 - Steering wheel and transmission controls
- 4 - Transmission display
- 5 - Pedals
- 6 - Accessory compartment and air conditioning controls

The steering column, including the steering wheel and transmission display, can be adjusted in height to facilitate the use of the machine by users of different heights. The display shows all information dedicated to road circulation (levels, temperatures, speed, etc.).

Air-conditioning

Developed according to automotive standards, **cutting the warm-up and cool-down times in half** compared to a conventional air conditioning system. The suction vent is located on the side of the cab, away from potential sources of dust and dirt, while inside there are 8 vents, three of which are dedicated to defrosting the windscreen, for optimum climatic comfort.



Boom suspensions

The active boom suspension system (BSS - Boom Suspension System) is available as an option, which protects the load during transfer and maintains a high level of driving comfort on rough terrain. The **suspension is automatically deactivated** at low speed (below 3 km/h), for boom maximum precision and power.

Merlo carriage

Merlo machines have a carriage designed to ensure record-breaking performance with every implement, without compromising on lightness, which is essential for ensuring an exceptional lifting capacity. Moreover, the maximum rotation greatly facilitates the loading and unloading of material with shovels. The **Tac-lock device**, which comes **standard** on all the models, guarantees maximum operating comfort, allowing the implements to be hydraulically locked from the cab.



Suspended cab

The models in this range can be fitted with the **exclusive and patented Suspended Cab (CS)**. By equipping the machine with this unique solution, the cab is fitted with an active hydropneumatic suspension, which can be controlled directly by the operator with an electric switch. When the suspension is active, the total displacement of the passenger compartment is 110 mm (-60 mm / +50 mm); a condition that provides for a drastic reduction in vibrations and stresses inside the passenger compartment, thereby facilitating transport and work operations, even on uneven ground.

Efficiency

Simpler and smarter

Merlo telehandlers boast the smallest dimensions and lightest weights on the market, guaranteeing reduced manoeuvring space, fuel consumption for transfers and reduced impact on the ground. Excellent manoeuvrability further reduces manoeuvring times, for greater productivity and lower power consumption. In addition, a further reduction in operating costs is provided by the full electronic management of the transmission and engine, which minimises RPM and, consequently, fuel demand. All models in the range are equipped with a double-acting hydraulic service line at the top of the boom and an electrical socket for machine-implement communication, making them compatible with a wide range of specially designed attachments in order to increase the versatility of the machine and allow its use in a wider range of application, thereby reducing depreciation times.

Visibility

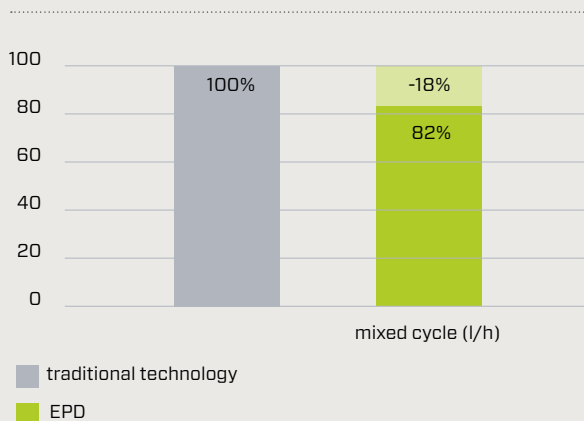
The improved visibility on the market ensures efficiency in movement and safety for customers, reducing stress for operators who perform numerous manoeuvres during the working day. To achieve these standards of visibility, Merlo has invested in a careful study of the positioning of the cab and boom, as well as a detailed bonnet design and a large glass surface with the aim of ensuring fast, safe and precise operations.

In addition, three different brushes are installed on the machine to ensure perfect window cleaning even in heavy rain. Electric controls in the cab control continuous or variable speed operation depending on the weather conditions.



REDUCED CONSUMPTION

Merlo EPD technology



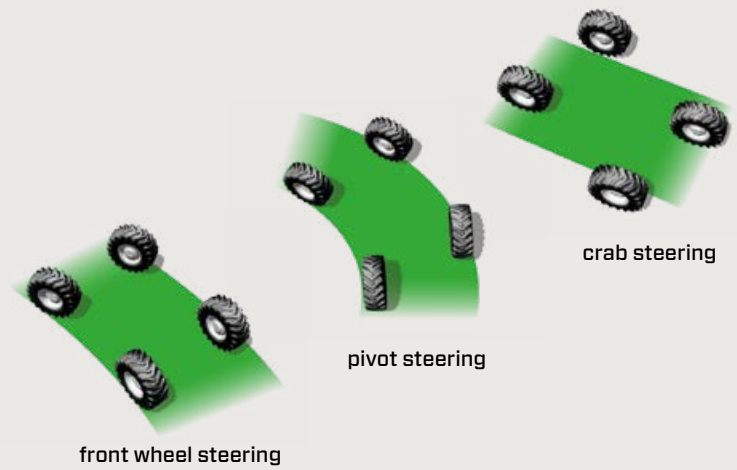
EPD and self-accelerating joystick

The exclusive EPD (**Eco Power Drive**) is a Merlo **patented** system for the electronic control and regulation of the engine and transmission. The EPD automatically controls and adjusts engine speed, hydrostatic pump flow rate and hydrostatic motor displacement according to operating conditions to maximise efficiency and reduce RPM, ensuring a reduction in fuel consumption of up to 18%.

The EPD includes the **“Self-accelerating joystick”** function, which manages engine speed proportionally to the use of the joystick (the greater the inclination of the joystick, the greater the engine rpm). This feature further optimises machine consumption and maximises the responsiveness for material handling.

Steering modes

A constant commitment is to **minimise manoeuvring space** while maximising the agility of the produced machines. To meet this purpose, the axles ensure maximum steering angle for manoeuvring in tight spaces. Furthermore, it is possible to manage the steering with three different solutions according to the specific needs of the work contexts: front wheel steering, pivot steering and crab steering (for lateral movements).



Battery isolator switch

As a standard feature, the Merlo telehandlers come equipped with an **electric, automatic and timed battery switch** to improve the efficiency and life of the batteries. Removing the key from the ignition switch starts the process that completely disconnects the machine's electrical circuit without compromising the reliability of the machine's electrical control units. With the circuit off, simply insert the keys into the control panel again to reactivate all functions of the batteries. A button is also available near the battery that allows forcing the battery to disconnect in order to meet the operational needs of the other utilities.

Stabilisers

The stabilisers for the Stabilised telehandler range are developed and manufactured in-house and are designed to optimise fast and safe installation. Their exclusive design, studied to offer a high structural resistance, guarantees their limited encumbrance during the operating phases, always staying within the machine's silhouette and reducing the impact on operator's field of view for the transfer phases. The independent control allows for the single operation of each stabiliser, providing easier positioning on the ground. Moreover, the shape of the support foot guarantees excellent anchorage to the ground, even in the case of soft or steep soils.



Capacitive joystick

All telehandlers in this range are equipped with the innovative capacitive electronic joystick control. This instrument is able to detect the presence of the operator's hand by means of a capacitive type sensor, thus avoiding the need for a special physical control ("dead man" button) to enable the hydraulic movements of the machine. With the joystick it is possible to control all the main hydraulic movements of the machine and implements, with up to 4 independent hydraulic movements on the implement as standard.

Stabilised telehandler range

Precision and ease of use

The Stabilised telehandler models are developed to meet the specific needs of customers operating in the industrial, construction, and infrastructure sectors. The greater versatility of the range allows us to offer models featuring compact dimensions (suitable for confined construction sites), as well as models with high flow rates and lift heights, able to provide solutions even in very large construction sites.

The range is equipped with front stabilisers to ensure greater stability and safety when handling loads at heights, thus ensuring operability in all types of construction sites. Three versions are available that differ in their technical and configuration characteristics:

- Entry configuration
- Plus configuration
- CS Top configuration





ENTRY VERSION

The Entry models are easy to use and feature a simple interface. Developed to meet the needs of every construction site, as well as rental and large construction companies, they guarantee exceptional performance and economic efficiency.

The stand out features include:

- Precise and powerful hydraulics with Load Sensing technology
- EPD transmission with maximum speed of 33 km/h
- 55 kW/75 HP engine

PLUS VERSION

The Plus models have been developed to offer the best balance in terms of efficiency, performance and versatility of use. They are equipped, as standard, with the ASCS digital display to maximise customer information and increase the machine customisation level.

The stand out features include:

- Precise and powerful hydraulics with Load Sensing technology
- EPD transmission with maximum speed of 40 km/h
- 85 kW/116 HP engine





CS TOP VERSION

The CS Top models have been developed to offer the highest level of technology and performance to serve the most demanding operators. They are equipped, as standard, with the ASCS digital display, an oversized hydraulic pump and the unique cab with hydropneumatic suspension.

The stand out features include:

- Precise and powerful hydraulics with Load Sensing technology and Flow sharing distributor
- EPD transmission with maximum speed of 40 km/h
- Cab with hydropneumatic suspension
- 85 kW/116 HP engine

Attachments

The attachments, which are designed and manufactured at the Merlo Group facilities, are the real operational tools used by Merlo telehandlers, and are designed to bring out the machines' performance and versatility in different operational situations.

The patented recognition of the attachments and the effective Tac-lock hydraulic locking system allow for quick tool changes to be performed, with the operating parameters being configured automatically for maximum safety.



Service and Spare Parts

Merlo is committed to protecting the **value**, **performance** and **productivity** of your telehandler over time. Whoever purchases a Merlo machine can rest assured that they have chosen a product that meets the highest standards in terms of quality, reliability and innovation. Careful periodic maintenance, combined with the use of original spare parts, becomes an economic advantage, and reduces the number of interventions required; in this way, your Merlo telehandler will maintain the same excellent performance levels over time, not to mention a high resale value.



MerloMobility

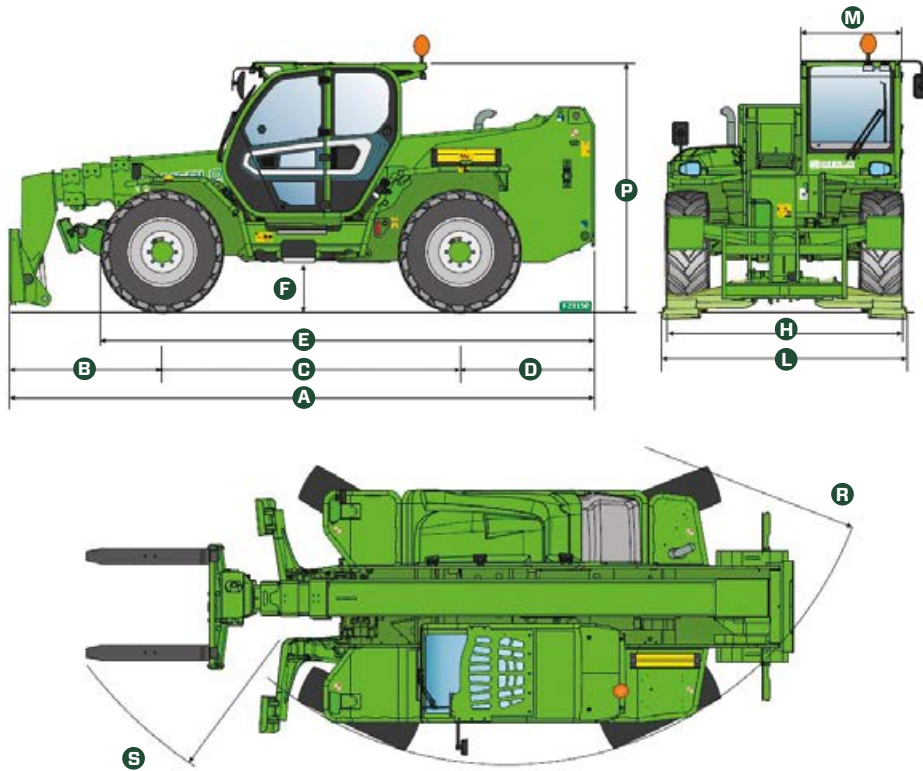
The Merlo telehandler range offers exclusive technology, making their telehandlers even smarter and more connected.

The MerloMobility connectivity system uses 4.0 technology to transfer the main information from the machine to a web portal.

The information transferred regards the vehicle's functionality, safety and location.



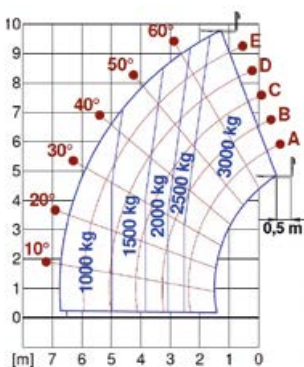
Technical characteristics



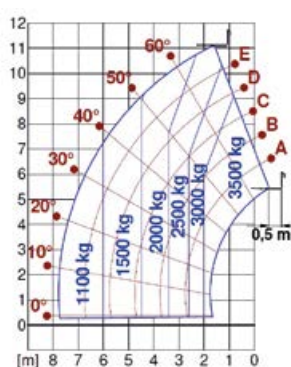
MODEL	DIMENSIONS	A	B	C	D	E	F	H	M	P	R	S
P30.10	mm	4700	1360	2740	600	3910	290	2100	1010	2120 (2020 L)	3930	5050
P35.11	mm	5150	1634	2810	705	4104	460	2310	1010	2530	3985	5200
TF35.11TT-145	mm	5150	1634	2810	705	1404	460	2310	1010	2530	3985	5200
P40.12	mm	5010	1290	2810	910	4260	375	2240	1010	2425	3920	4900
P40.12PLUS	mm	5010	1290	2810	910	4260	375	2240	1010	2425	3920	4900
P40.13	mm	5410	1690	2810	910	4260	375	2240	1010	2425	3920	4940
P40.13PLUS	mm	5410	1690	2810	910	4260	375	2240	1010	2425	3920	4940
P40.13CSTOP	mm	5410	1690	2810	910	4260	375	2240	1010	2425	3920	4940
P40.14	mm	5750	1645	2810	1295	4640	375	2240	1010	2425	3920	5040
P40.14PLUS	mm	5750	1645	2810	1295	4640	375	2240	1010	2425	3920	5040
P40.14CSTOP	mm	5750	1645	2810	1295	4640	375	2240	1010	2425	3920	5040
P40.17	mm	5970	1705	2950	1315	4852	450	2240	1010	2500	4050	5160
P40.17PLUS	mm	5970	1705	2950	1315	4852	450	2240	1010	2500	4050	5160
P40.17CSTOP	mm	5970	1705	2950	1315	4852	450	2240	1010	2500	4050	5160
P50.18PLUS	mm	6190	1745	3060	1385	5067	485	2480	1010	2535	4265	5611
P50.18CSTOP	mm	6190	1745	3060	1385	5067	485	2480	1010	2535	4265	5611

MODEL	P30.10	P35.11	TF35.11TT-145	P40.12	P40.12PLUS	P40.13	P40.13PLUS
Unladen weight (kg)	7600	9000	9100	9200	9200	9300	9300
Maximum load capacity (kg)	3000	3500	3500	4000	4000	4000	4000
Lift height (m)	9,8	11	11	11,5	11,5	12,5	12,5
Maximum reach (m)	6,7	7,8	7,8	7,63	7,63	8,74	8,74
Reach at max. load capacity (m)	2,5	2	2	3,4	3,4	3,3	3,3
Load capacity at max. reach (kg)	1000	1000	1000	1300	1300	1000	1000
Boom side-shift (mm)	-	+/- 310	+/- 310	+/- 330	+/- 330	+/- 340	+/- 340
Frame levelling (%)	-	+/- 8	+/- 8	+/- 8	+/- 8	+/- 8	+/- 8
Engine	Kohler 2504 TCR	Kohler 2504 TCR	Deutz TCD3.6	Kohler KDI2504	Perkins 904J	Kohler KDI2504	Perkins 904J
Engine power (kW/HP)	55,4/75,1	55,4/75,1	105/143	55,4/75,1	85,9/115	55,4/75,1	85,9/115
Anti-pollution technology	Stage V DOC + DPF	Stage V DOC + DPF	Stage V SCR + DPF + DOC	Stage V DOC + DPF	Stage V SCR + DPF + DOC	Stage V DOC + DPF	Stage V SCR + DPF + DOC
Maximum speed (km/h)	40	33	40	33	40	33	40
Fuel tank capacity (l)	80	140	140	140	140	140	140
AdBlue tank capacity (l)	-	-	18	-	18	-	18
Hydrostatic transmission	YES - 2V	YES - 2V	YES - 2V	YES - 2V	YES - 2V	YES - 2V	YES - 2V
EPD	Plus	Plus	Plus	Plus	Plus	Plus	Plus
Hydraulic pump	LS + FS	LS + FS	LS + FS	LS	LS	LS	LS
Delivery/pressure (l/min-bar)	117-210	117 - 250	150-250	104 - 250	104 - 250	104 - 250	104 - 250
Hydraulic oil tank capacity (l)	85	100	100	100	100	100	100
Cab finishing	ECO	ECO	ECO	ECO	ECO	ECO	ECO
ASCS	Light	Light	Light	Light	Full	Light	Full
ROPS, FOPS LEV II Cab	YES	YES	YES	YES	YES	YES	YES
Cab controls	Electronic joystick control	Electronic joystick control	Electronic joystick control	Electronic joystick control	Electronic joystick control	Electronic joystick control	Electronic joystick control
Reverse shuttle	Dual reverse	Dual reverse	Dual reverse	Dual reverse	Dual reverse	Dual reverse	Dual reverse
Boom suspension	OPT	OPT	OPT	OPT	OPT	OPT	OPT
Tac-lock	YES	YES	YES	YES	YES	YES	YES
Permanent four-wheel drive	YES	YES	YES	YES	YES	YES	YES
All-wheel steering	YES	YES	YES	YES	YES	YES	YES

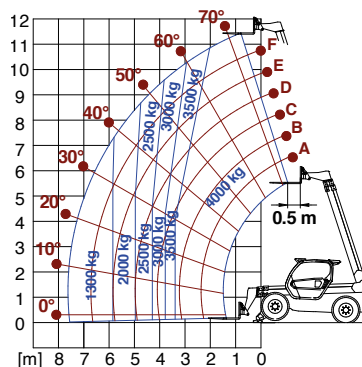
P30.10



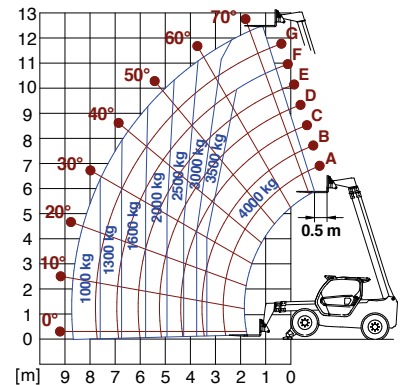
P35.11



P40.12

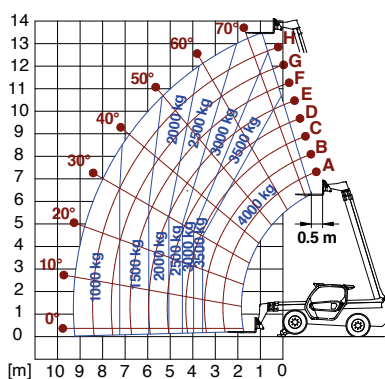


P40.13

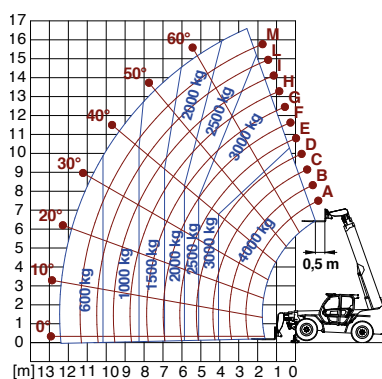


P40.13CSTOP	P40.14	P40.14PLUS	P40.14CSTOP	P40.17	P40.17PLUS	P40.17CSTOP	P50.18PLUS	P50.18CSTOP
9650	9950	9950	10300	11670	11670	12020	13300	13650
4000	4000	4000	4000	4000	4000	4000	5000	5000
12,5	13,5	13,5	13,5	16,6	16,6	16,6	17,5	17,5
8,74	9,3	9,3	9,3	12,47	12,47	12,47	13,5	13,5
3,3	3,5	3,56	3,56	4,06	4,06	4,06	3,7	3,7
1000	1000	1000	1000	600	600	600	750	750
+/- 340	+/- 345	+/- 345	+/- 345	+/- 435	+/- 435	+/- 435	+/- 445	+/- 445
+/- 8	+/- 8	+/- 8	+/- 8	+/- 8	+/- 8	+/- 8	+/- 8	+/- 8
Perkins 904J	Kohler KDI2504	Perkins 904J	Perkins 904J	Kohler KDI2504	Perkins 904J	Perkins 904J	Perkins 904J	Perkins 904J
85,9/115	55,4/75,1	85,9/115	85,9/115	55,4/75,1	85,9/115	85,9/115	85,9/115	85,9/115
Stage V SCR + DPF + DOC	Stage V DOC + DPF	Stage V SCR + DPF + DOC	Stage V SCR + DPF + DOC	Stage V DOC + DPF	Stage V SCR + DPF + DOC	Stage V SCR + DPF + DOC	Stage V SCR + DPF + DOC	Stage V SCR + DPF + DOC
40	33	40	40	33	40	40	40	40
140	140	140	140	140	140	140	140	140
18	-	18	18	-	18	18	18	18
TOP - 2V	YES - 2V	YES - 2V	TOP - 2V	YES - 2V	YES - 2V	TOP - 2V	YES - 2V	TOP - 2V
Plus	Plus	Plus	Plus	Plus	Plus	Plus	Plus	Plus
LS + FS	LS	LS	LS + FS	LS	LS	LS + FS	LS	LS + FS
145 - 250	104 - 250	104 - 250	145 - 250	104 - 250	104 - 250	145 - 250	104 - 250	145 - 250
100	100	100	100	100	100	100	110	110
ECO	ECO	ECO	ECO	ECO	ECO	ECO	ECO	ECO
Full	Light	Full	Full	Light	Full	Full	Full	Full
YES	YES	YES	YES	YES	YES	YES	YES	YES
Electronic joystick control	Electronic joystick control	Electronic joystick control	Electronic joystick control	Electronic joystick control	Electronic joystick control	Electronic joystick control	Electronic joystick control	Electronic joystick control
Dual reverse	Dual reverse	Dual reverse	Dual reverse	Dual reverse	Dual reverse	Dual reverse	Dual reverse	Dual reverse
OPT	OPT	OPT	OPT	OPT	OPT	OPT	OPT	OPT
YES	YES	YES	YES	YES	YES	YES	YES	YES
YES	YES	YES	YES	YES	YES	YES	YES	YES
YES	YES	YES	YES	YES	YES	YES	YES	YES

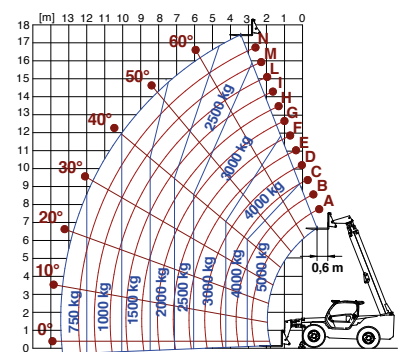
P40.14



P40.17



P50.18









Your Merlo dealer

MERLO S.p.A.

Via Nazionale, 9 - 12010 S. Defendente di Cervasca (CN) - Italy
Tel. +39 0171 614111 - Fax +39 0171 684101
www.merlo.com - info@merlo.com

