

Compact Telehandlers

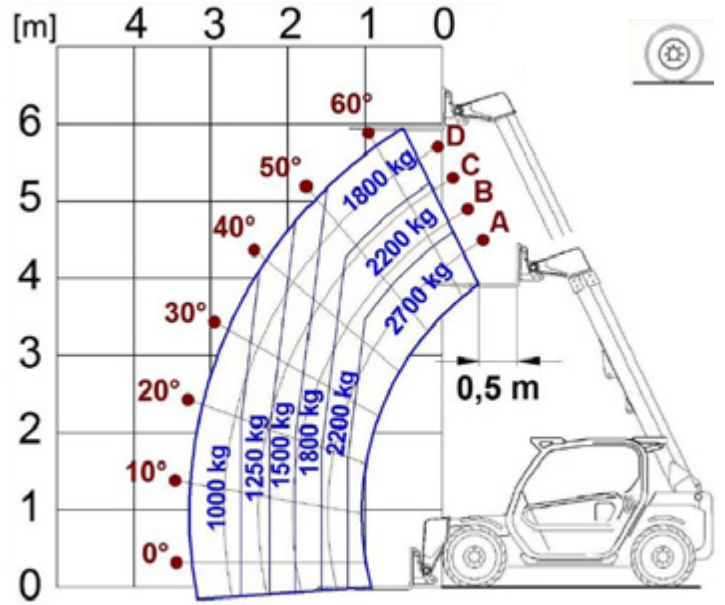
P27.6





| PERFORMANCE AND FEATURES | P27.6 PLUS | P27.6 TOP | |
|--|--------------------------|--------------------------|--|
| Performance | | | |
| Total unladen weight (kg) | 4850 | 4850 | |
| Maximum capacity (kg) | 2700 | 2700 | |
| Lifting height (m) | 5,9 | 5,9 | |
| Maximum reach (m) | 3,3 | 3,3 | |
| Maximum operating height (m) | 4,6 | 4,6 | |
| Maximum operating reach (m) | 1,2 | 1,2 | |
| Capacity at maximum height (kg) | 1800 | 1800 | |
| Capacity at maximum reach (kg) | 1000 | 1000 | |
| Lateral boom movement (mm) | - | - | |
| Tilting correction (%) | - | - | |
| Boom sections | 2 | 2 | |
| PowerTrain | | | |
| Turbo motor | KOHLER KD2504 TCR | KOHLER KD2504 TCR | |
| Displacement/cylinders | 2500/4 | 2500/4 | |
| Engine Power (kW/HP) | 55,4/75,1 | 55,4/75,1 | |
| Anti-pollution technology | STAGE V, DOC +DPF | STAGE V, DOC +DPF | |
| Reversible fan | - | - | |
| Maximum speed (km/h) | 40 | 40 | |
| Fuel tank (l) | 70 | 70 | |
| AdBlue tank (l) | - | - | |
| Hydrostatic transmission | ● - 1V | Top | |
| EPD | - | - | |
| Auto-revving joystick | - | - | |
| Axles - Reducers | Axial, Epicyclic | Axial, Epicyclic | |
| Machine brakes | Dry disc | Dry disc | |
| Automatic parking brake | ● | ● | |
| Hydraulic | | | |
| Hydraulic pump | Gear | Gear | |
| Flow rate/pressure (l/min - bar) | 95-210 | 95-210 | |
| Hydraulic tank | 70 | 70 | |
| Hydraulic outlet at the top of the boom | ● | ● | |
| Rear hydraulic outlets | ○ | ○ | |
| Cab | | | |
| Cab configuration | ECO | ECO | |
| ASCS Adaptive Stability Control System | - | - | |
| FOPS LIV II cab | ● | ● | |
| ROPS cab | ● | ● | |
| Cab commands | Electromechanic joystick | Electromechanic joystick | |
| Tilting Cab | - | - | |
| Reverse shuttle | Finger touch | Finger touch | |
| Configuration | | | |
| Cab suspension | - | - | |
| Boom suspension | ○ | ○ | |
| Suspension on axles | - | - | |
| Work headlights on cab | ○ | ○ | |
| Sun blind | ○ | ○ | |
| Tac-lock | ● | ● | |
| Provision for a platform | ○ | ○ | |
| Two floating forks | ● | ● | |
| Inching-Control | ● | ● | |
| Four-wheel drive | ● | ● | |
| Four-wheel steering | ● | ● | |
| Three steering modes | ● | ● | |
| Standard tyres | 12-16.5 | 12-16.5 | |
| Optional tyres | 12/75-18; 300/80-15.3 | 12/75-18; 300/80-15.3 | |
| Stabilisers | - | - | |
| Turret rotation | - | - | |
| Type approval as an agricultural tractor | ○ | ○ | |
| Approval with PNEUMATIC braking | - | - | |
| Approval with HYDRAULIC braking | ○ | ○ | |
| PTO | - | - | |
| 3-point linkage | - | - | |

- Not Available
● Standard
○ Optional

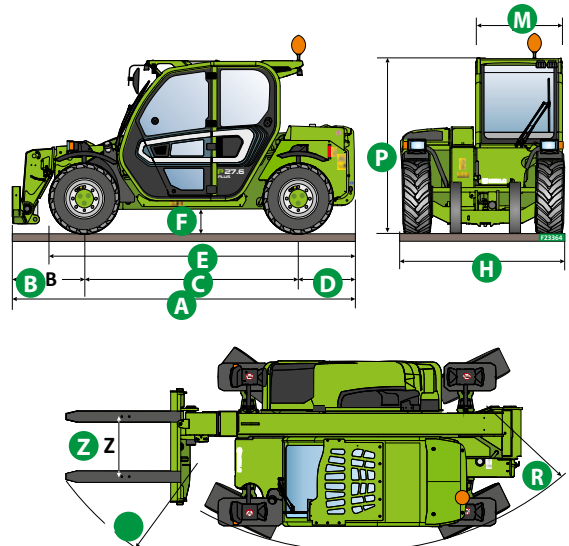


P27.6

Dimensions



| | P27.6 PLUS | P27.6 TOP | |
|--------|------------|-----------|--|
| A (mm) | 3910 | 3910 | |
| B (mm) | 820 | 820 | |
| C (mm) | 2450 | 2450 | |
| D (mm) | 640 | 640 | |
| E (mm) | 3495 | 3495 | |
| F (mm) | 270 | 270 | |
| H (mm) | 1860 | 1860 | |
| M (mm) | 1010 | 1010 | |
| P (mm) | 1960 | 1960 | |
| R (mm) | 3370 | 3370 | |
| S (mm) | 4200 | 4200 | |
| Z (mm) | 850 | 850 | |



Your Merlo dealer



MERLO S.P.A.

Via Nazionale, 9
12010 S. Defendente di Cervasca, (Cuneo) Italia
Tel. +39 0171 614111
Fax +39 0171 684101

info@merlo.com
www.merlo.com

