

Stabilized Telehandlers

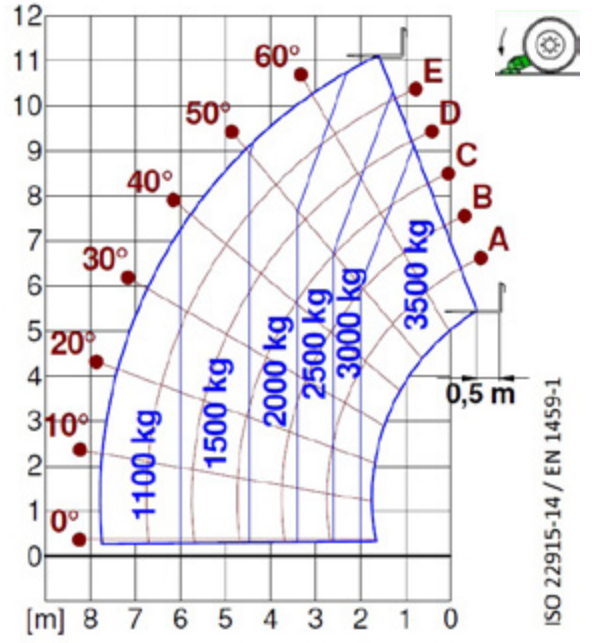
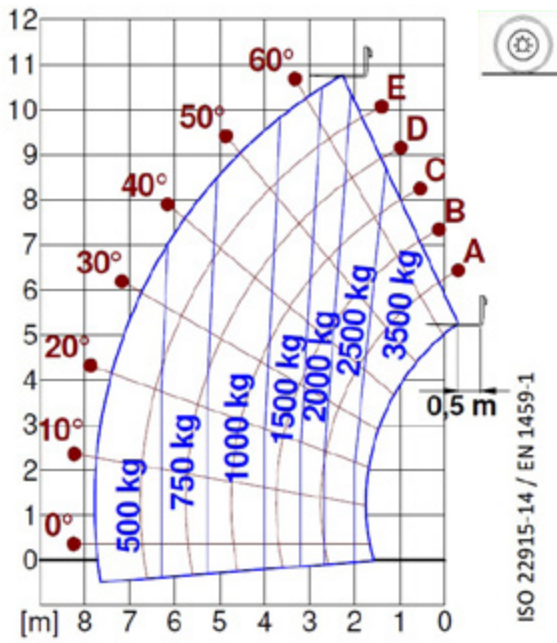
P35.11





PERFORMANCE AND FEATURES	P35.11		
Performance			
Total unladen weight (kg)	9000		
Maximum capacity (kg)	3500		
Lifting height (m)	11		
Maximum reach (m)	7,8		
Maximum operating height (m)	9		
Maximum operating reach (m)	2		
Capacity at maximum height (kg)	2500		
Capacity at maximum reach (kg)	1100		
Lateral boom movement (mm)	± 310		
Tilting correction (%)	± 8		
Boom sections	3		
PowerTrain			
Turbo motor	KOHLER 2504 TCR		
Displacement/cylinders	2500/4		
Engine Power (kW/HP)	55,4/75,1		
Anti-pollution technology	STAGE V, DOC + DPF		
Reversible fan	●		
Maximum speed (km/h)	33		
Fuel tank (l)	140		
AdBlue tank (l)	-		
Hydrostatic transmission	● - 2V		
EPD	●		
Auto-revving joystick	●		
Axles - Reducers	Drop portal - RR700		
Machine brakes	Dry discs		
Automatic parking brake	●		
Hydraulic			
Hydraulic pump	LS + FS		
Flow rate/pressure (l/min - bar)	117 - 250		
Hydraulic tank	100		
Hydraulic outlet at the top of the boom	●		
Rear hydraulic outlets	-		
Cab			
Cab configuration	ECO		
ASCS Adaptive Stability Control System	Light		
FOPS LIV II cab	●		
ROPS cab	●		
Cab commands	Electronic joystick		
Tilting Cab	-		
Reverse shuttle	Dual reverse		
Configuration			
Cab suspension	-		
Boom suspension	○		
Suspension on axles	-		
Work headlights on cab	○		
Sun blind	○		
Tac-lock	●		
Provision for a platform	○		
Two floating forks	●		
Inching-Control	●		
Four-wheel drive	●		
Four-wheel steering	●		
Three steering modes	●		
Standard tyres	405/70-24		
Optional tyres	405/70-20		
Stabilisers	Narrow		
Turret rotation	-		
Type approval as an agricultural tractor	-		
Approval with PNEUMATIC braking	-		
Approval with HYDRAULIC braking	-		
PTO	-		
3-point linkage	-		

- Not Available
● Standard
○ Optional

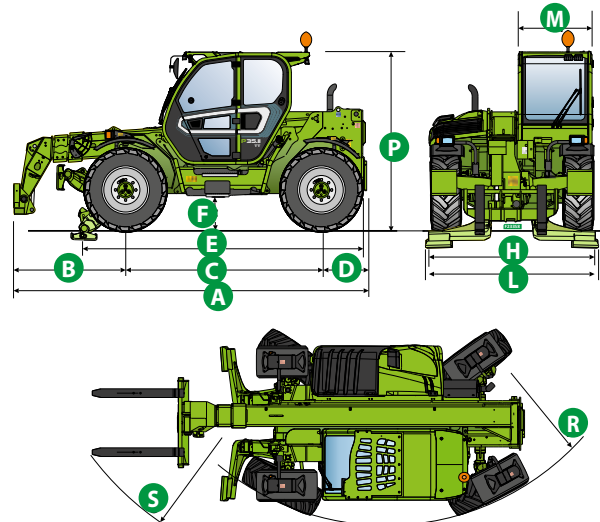


P35.11

Dimensions



	P35.11		
A (mm)	5150		
B (mm)	1634		
C (mm)	2810		
D (mm)	705		
E (mm)	4104		
F (mm)	460		
H (mm)	2310		
L (mm)	2365		
M (mm)	1010		
P (mm)	2530		
R (mm)	3985		
S (mm)	5200		



Your Merlo dealer



MERLO S.P.A.

Via Nazionale, 9
12010 S. Defendente di Cervasca, (Cuneo) Italia
Tel. +39 0171 614111
Fax +39 0171 684101

info@merlo.com
www.merlo.com

